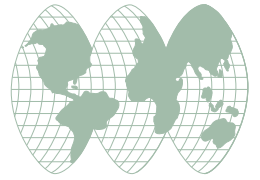


# FILLER SPECIALTIES



**Packaging Specialists**  
for the Liquid Filling Industry

440 100th Street  
Zeeland, MI 49464 • USA

Telephone 616 • 772 • 9235  
Facsimile 616 • 772 • 4544

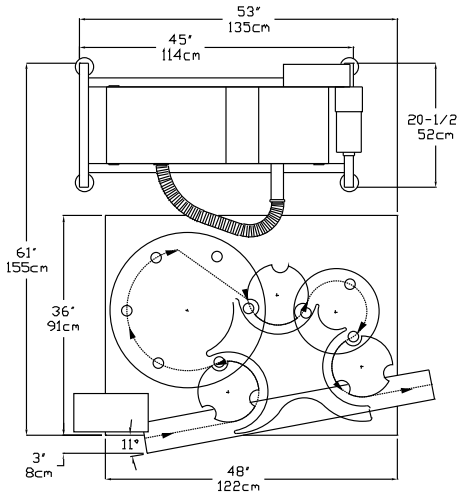


**GWFS-63**

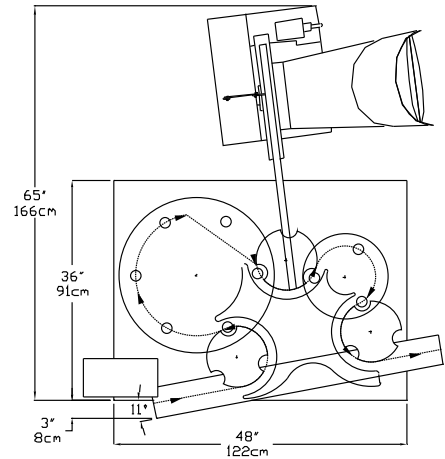
## Containers per Minute

Speed will vary depending on product and container

No. of Valves	No. of Cappers	Milk				Water 28mm					
		Gal	1/2 Gal	Quart	1/2 Pint	4 Liter	1 1/2 Liter	1 Liter	500 ml.	250 ml.	200 ml.
6	3	18	24	30	45	20 38mm	25	30	45	45	45



Right Hand with FS 12-M Cap Feeder



Right Hand with Rotary Cap Feeder

